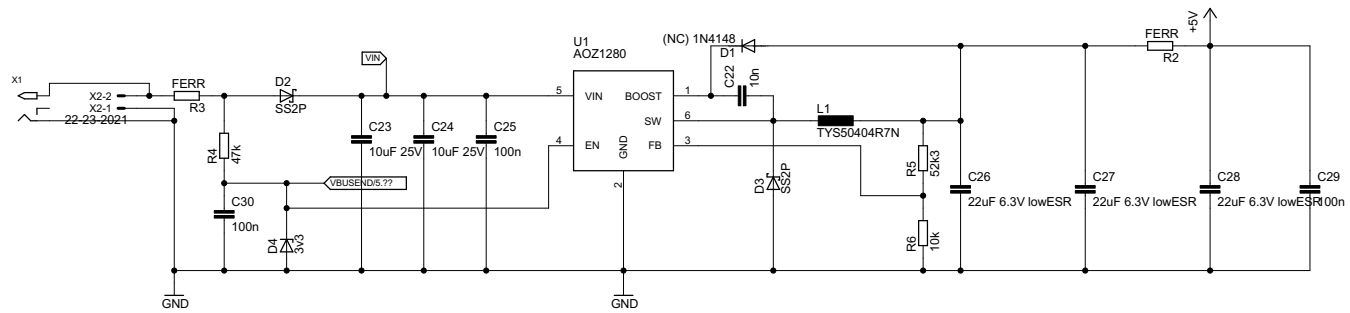
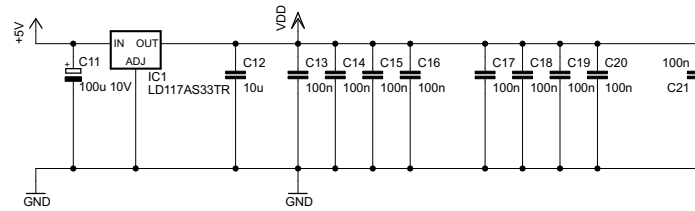
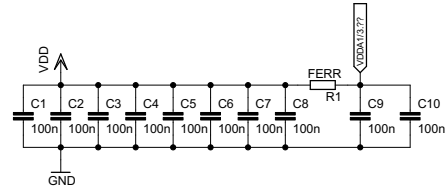
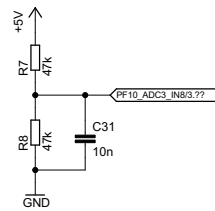


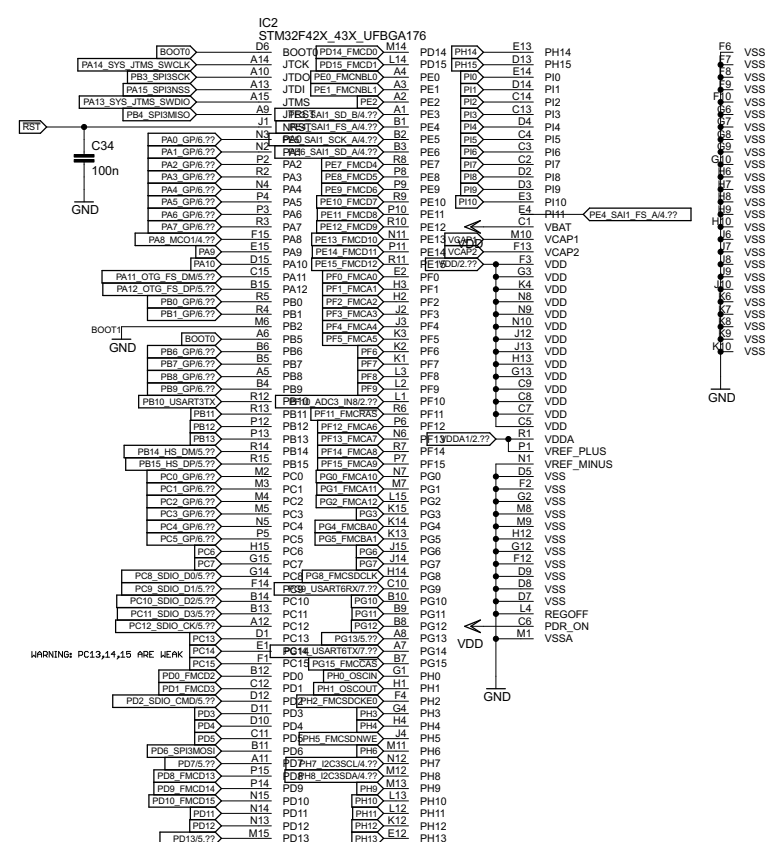
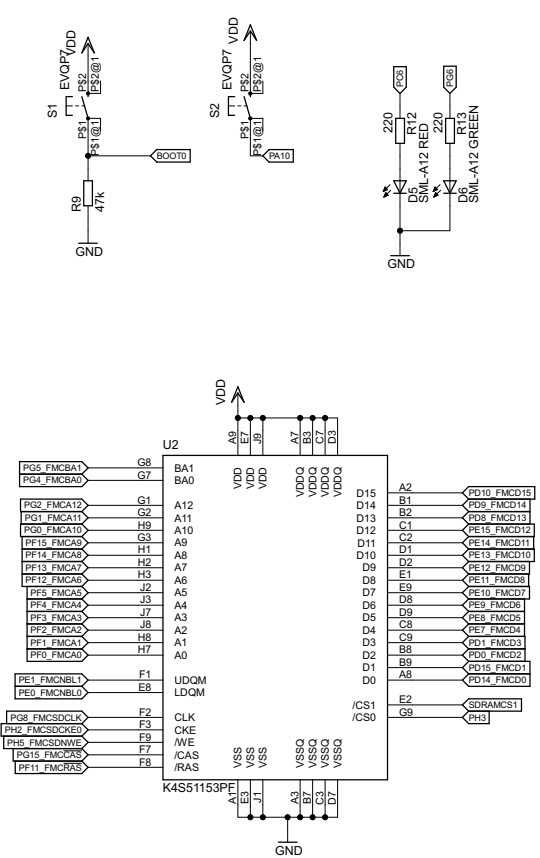
# Axoloti Core 1.0 Schematics

by Johannes Taelman

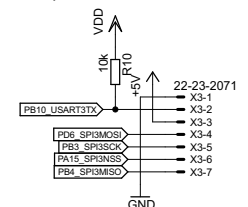


5V voltage supervisor

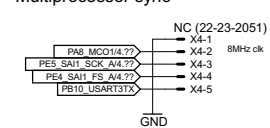




Multiprocessor stream



Multiprocessor sync



SWD

